

# *Wainscot Wall Padding Specifications*



Dear Customer:

Thank you for selecting Resilite Sports Products as one of the potential suppliers of your wall padding. For over 50 years, Resilite™ Sports Products has been a world leader in manufacturing athletic mats, wall padding, and customized padding solutions. Our, outstanding service and dedication to customer satisfaction is second to none. We work directly with you to ensure we meet the needs and expectations of each and every customer.

## **Not all wall pads are created equal!**

Wall padding can be a significant investment for your facility. Resilite uses only the very materials and workmanship to ensure that your wall padding not only looks nice, but will last for many, many years.

When placing your wall padding project out bid, or when comparing several pads from a variety of manufacturers, we have provided you with preferred specifications to use. We encourage you to use these specifications to help you develop your RFP, or use them when comparing various manufacturers.

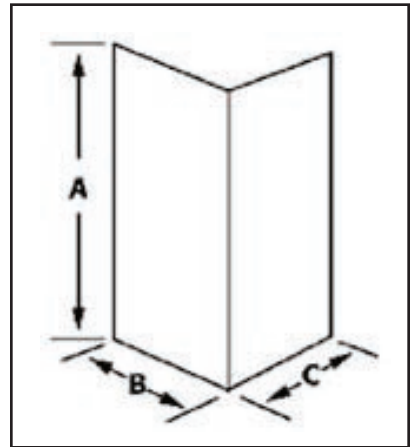
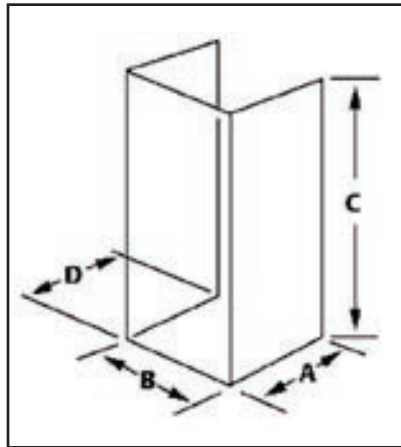
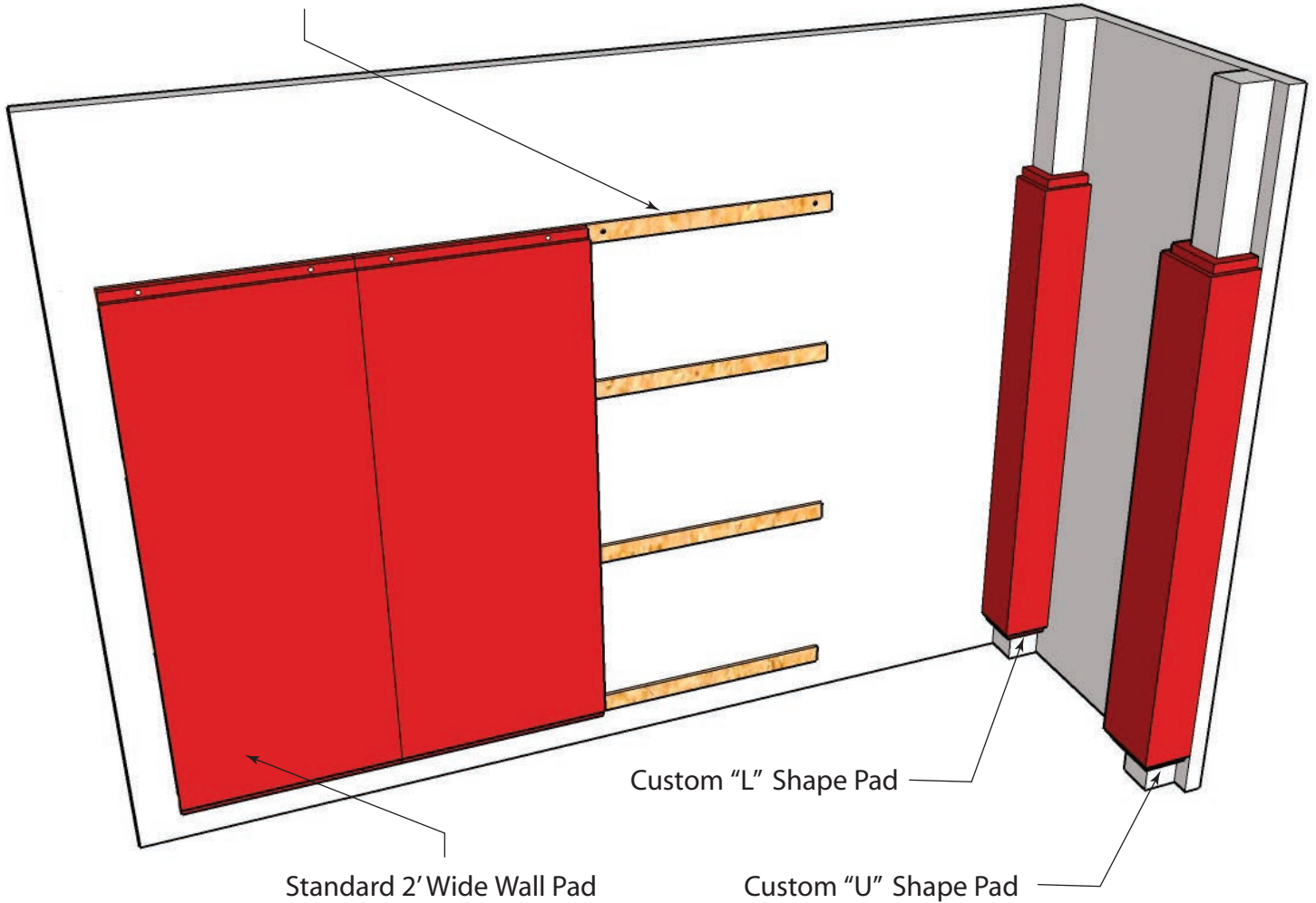
Thank You.

## Wainscot (fabric-covered) Wall Padding Specifications

- Standard size wall pads shall be 24" wide by 60" or 72" high. Pads shall be available from the manufacturer to be custom fabricated to sizes and shapes required to accommodate structural elements, wall opening, and other project conditions where standard size pads will not work.
- Manufacturer shall offer three (3) or more types of protective foam options.
- **FOAM CORE:** Protective foam core shall be 1-3/8" thick or greater XLPE polyethylene foam. Pads containing only polyurethane filler shall not be acceptable.
- Foam Core shall have a compression / deflation range of 6-10 psi @ 25% deflation, 14-20 @ 50% deflation and 37-55 @ 75% deflation and meet ASTM testing standard D1056 "*Specification for Flexible Cellular Materials-Sponge*".
- Foam Core shall have a tensile (tension) strength of 35-65 psi
- Foam Core shall have a tear resistance range of 7-13 lb per inch.
- **BACKER BOARD:** Wall Padding shall be manufactured with a backer board using 7/16" urea-formaldehyde free OSB (oriented strand board).
- **COVER:** Each panel shall be covered in a flexible 14-oz. or 18-oz. scrim laminate vinyl. Panel shall be fully wrapped with cover material and stapled to backer such that the backer is not exposed on the front or sides.
- When using 14-oz. vinyl fabric, the cover shall be registered Flame Retardant by the California State Fire Marshall and engineered to comply with NFPA 701.
- Fabric cover shall be compounded with antimicrobial and antifungal agents and cleaned easily with mild soap and water.
- Pads without solid backing that wrap around columns or other structures shall be provided with hook and loop attachment strips.
- Manufacturer shall be able to provide a choice in installation method used for attaching the wall pads. Typically wall pads are manufactured with one-inch flanges (lip) on the top and bottom for mounting. As an option, manufacturer shall provide wall pads with keyhole Slot-Back attachment in lieu of mounting flanges.
- Wall Padding shall be guaranteed from manufacturing defects and workmanship for at least 1-year from the date received.

# INSTALLATION: Conventional

Optional 1" x 3" Furring Strip  
(to be provided by G.C. / Others)



## Wainscot Wall Pads and Custom "L" / "U" Pads

RESILITE SPORTS PRODUCTS, INC., PO Box 764, Sunbury, PA 17801-0764  
EMAIL: RESILITE@RESILITE.COM PH: 1-800-843-6287 FX: 570-473-8988 WEB: RESILITE.COM